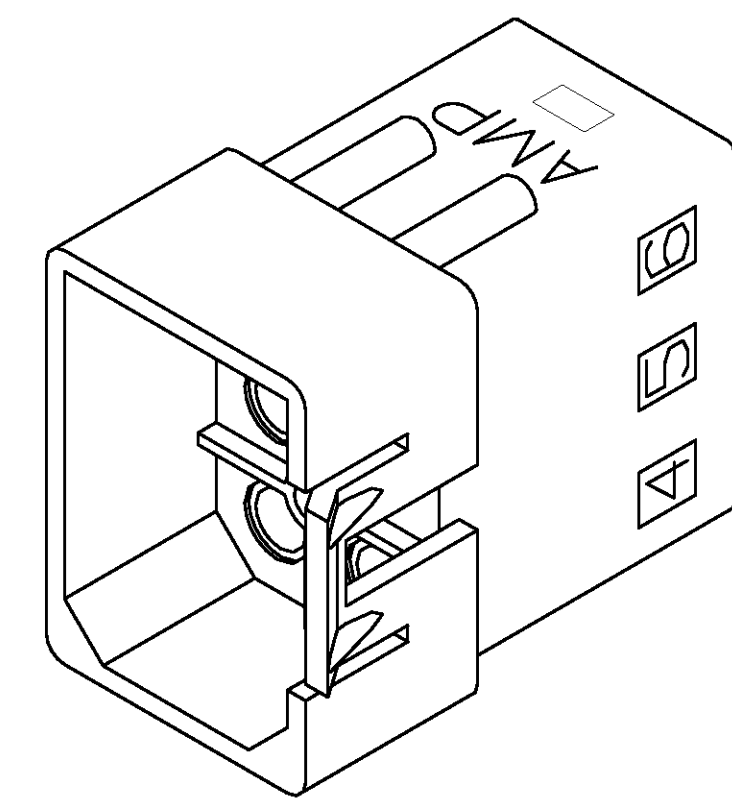
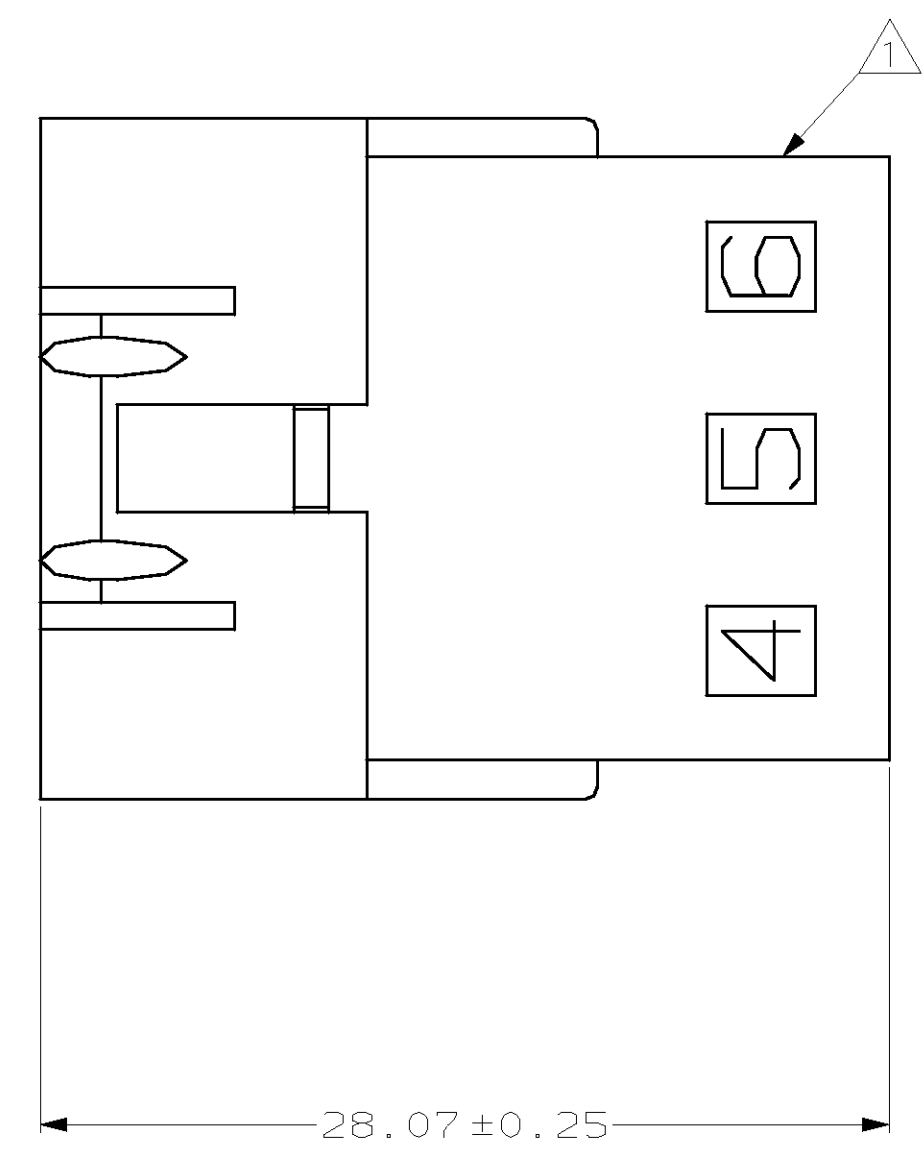
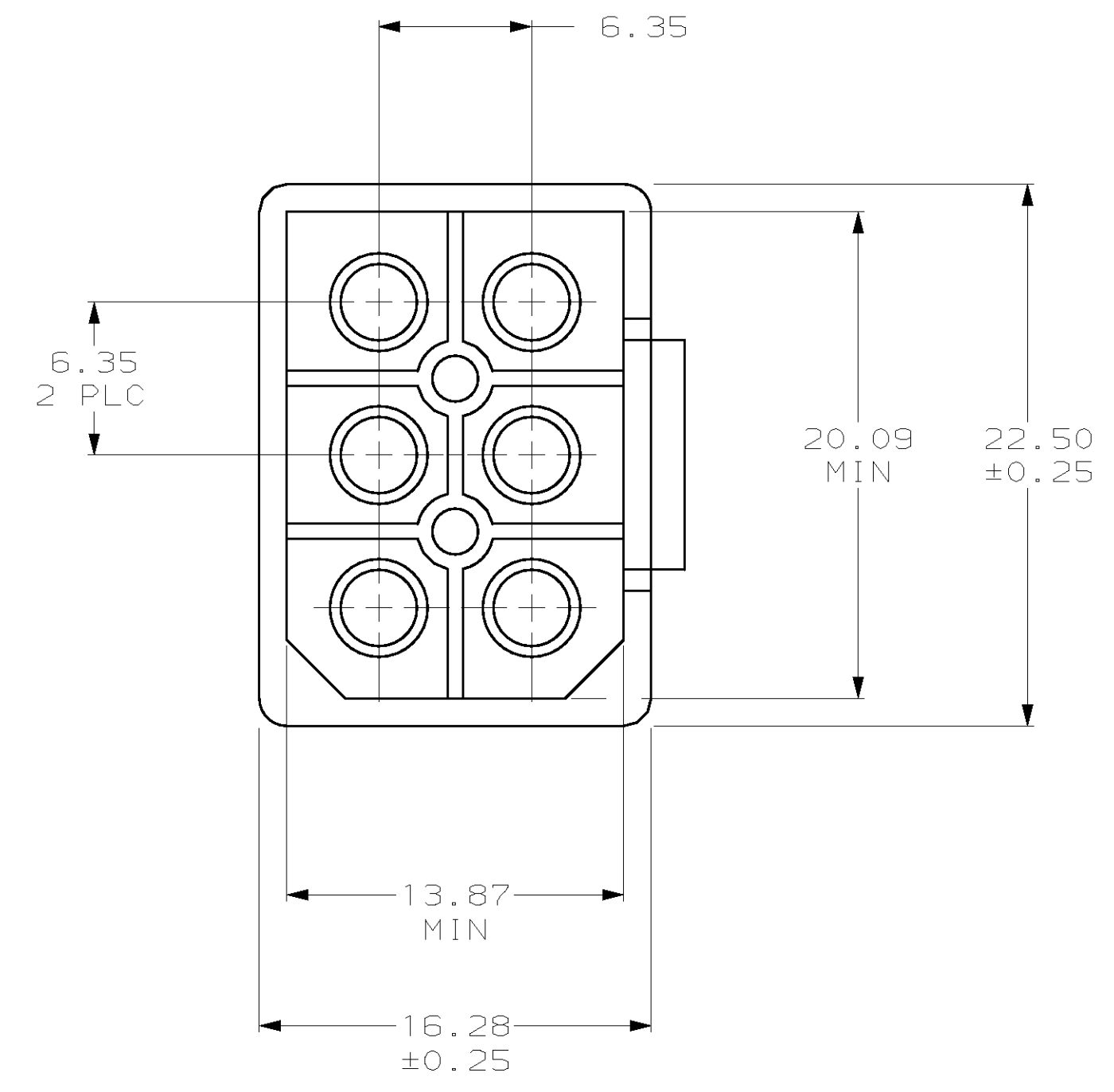
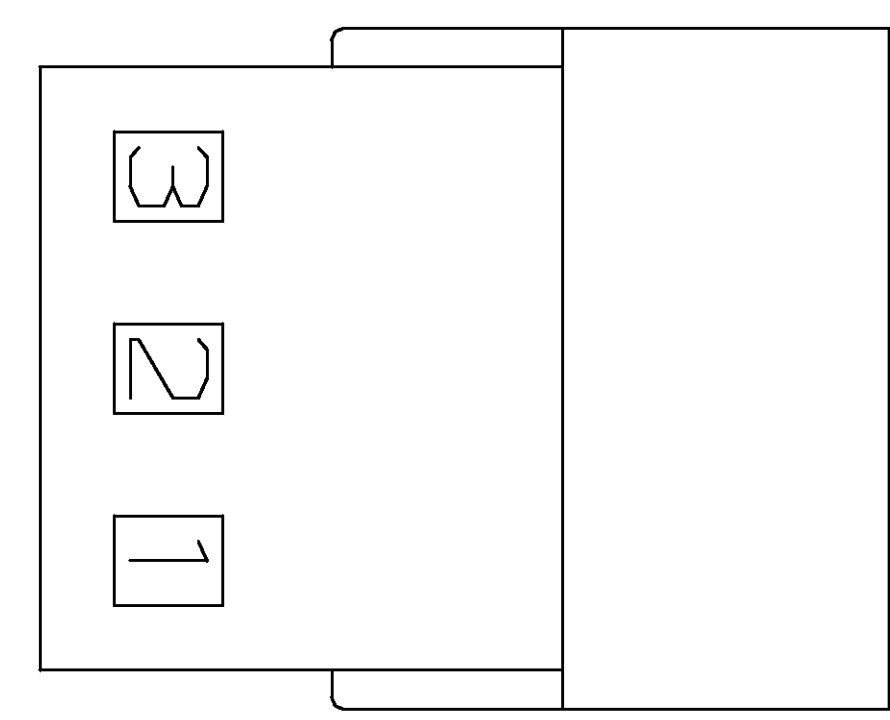


LOC	QTY	REV	DESCRIPTION	DATE	OWN	APVD
CM	53					
C			RELEASED PER PR EC 0L30-0270-97	12-12-97	KW	RS

⚠ AMP LOGO AND CAVITY NUMBER LOCATED THIS SURFACE.



3-DIMENSIONAL MODEL NTS

MM	IN
28.07	1.105
22.50	.886
20.09	.791
16.28	.641
13.87	.546
6.35	.250
0.25	.010
0.13	.005

CONVERSION TABLE

770361-1  
PART NUMBER

**METRIC**

THIS DRAWING IS A CONTROLLED DOCUMENT.

DIMENSIONS:	TOLERANCES UNLESS OTHERWISE SPECIFIED.	OWN: K. WHITAKER 12-12-97	AMP Incorporated Harrisburg, PA 17105-3608
mm	0.13	CHK: R. SWING 12-12-97	
0.13	±0.13	APVD: K. COBLE 12-12-97	
0.25	±0.25	NAME: PLUG	
0.50	±0.50	PRODUCT SPEC: PANEL MOUNT, 6 CIRCUIT, .250 PIN AND SOCKET	
1.00	±1.00	APPLICATION SPEC: -	
2.00	±2.00	HEIGHT: -	
3.00	±3.00	MATERIAL: NYLON, UL 94V-2, NATURAL	
FINISH: -		SIZE: A1	SCALE: 4:1
		DRAWING NO: 00779	SHEET: 1 OF 1
		CUSTOMER DRAWING	REV: C